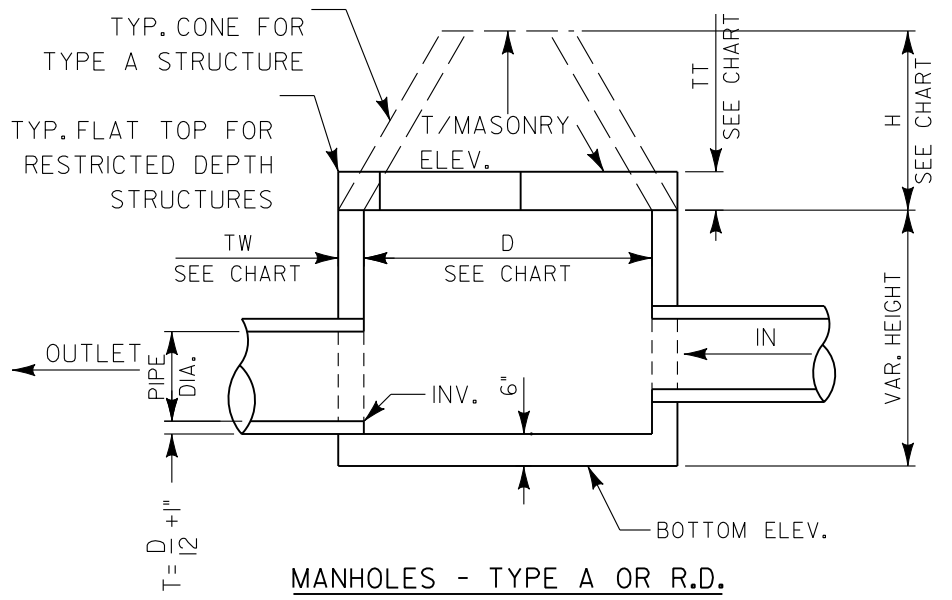


CATCH BASINS - TYPE A OR R.D.

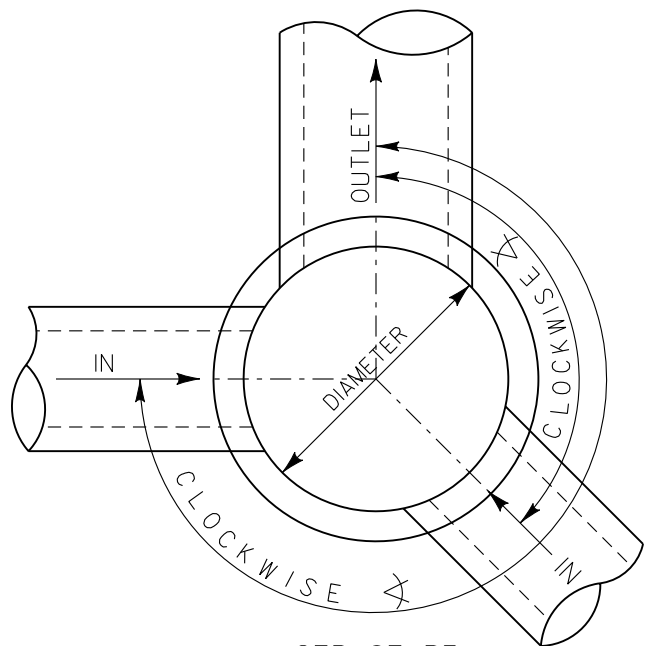
SEE IDOT STD. 602001 & 602601



MANHOLES - TYPE A OR R.D.

SEE IDOT STD. 602401 & 602601

D	TW	TT	H
4'	4"	6"	2'-6"
5'	5"	8"	3'-9"



STRUCTURE OPENING LAYOUT

SEE "SCHEDULE OF DRAINAGE STRUCTURES" LC0000 Sheet 3

CATCH BASIN - TYPE C

SEE IDOT STD. 602011

SCALE: 1" = 3'

REVISIONS	DATE

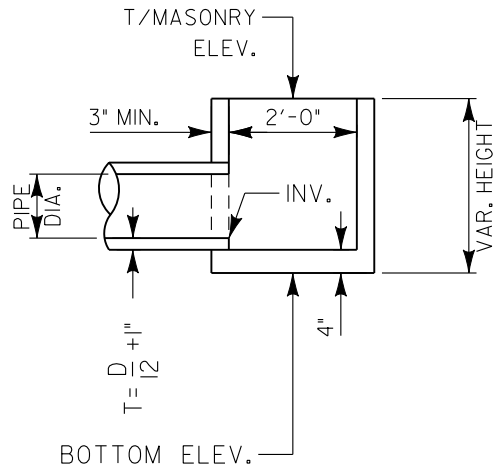


APPROVED BY: M. G. ZEMAITIS
DATE: APRIL 1, 2007

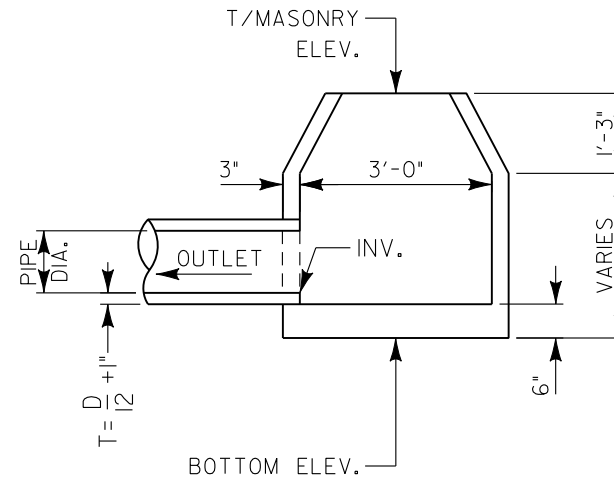
**MATERIALS LETTING
DRAINAGE STRUCTURE
DETAIL**

SHEET 1 OF 3

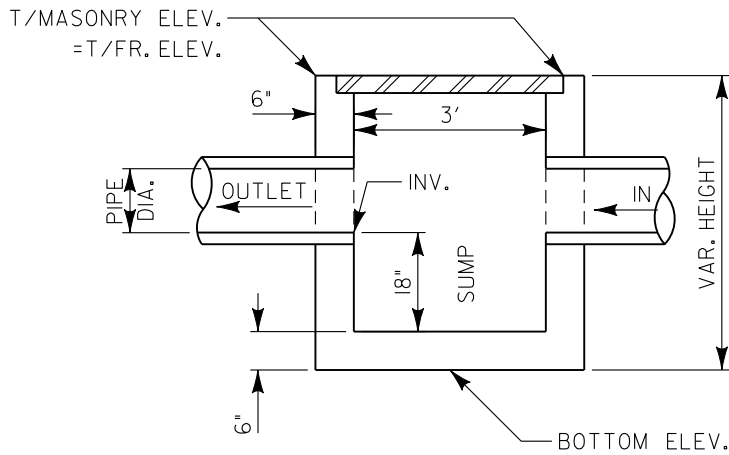
LC0000



INLET - TYPE A
SEE IDOT STD. 602301



INLET - TYPE B
SEE IDOT STD. 602306



FLUSH INLET BOX
SEE IDOT STD. 542546

SCALE: 1" = 3'

FRAME & GRATE INCLUDED
IN COST OF STRUCTURE
(FOR 542546 ONLY)

DESIGN NOTES:

ALL STRUCTURES SHALL BE IN CONFORMANCE WITH
THEIR RESPECTIVE IDOT STANDARD DRAWINGS
EXCEPT:

1. STEPS ARE NOT REQUIRED.
2. THE BOTTOMS SHALL BE CAST WITH THE BARREL.

REVISIONS	DATE



APPROVED BY: M. G. ZEMAITIS
DATE: APRIL 1, 2007

**MATERIALS LETTING
DRAINAGE STRUCTURE
DETAIL**

SHEET 2 OF 3

LC0000

